

AM-5AC22-45 Quick Start Guide



Click for
Table of Contents



tents



Antenna



Protective Shroud



U-Brackets (Qty. 2)



Pole Brackets (Qty. 2)



Pole Clamps (Qty. 2)



Carriage Bolts (Qty. 4)



Serrated Flange Bolts (Qty. 4)



Serrated Flange Nuts (Qty. 8)



Weatherproof RF Cables (Qty. 2)

Installation Requirements

- Rocket® 5ac PtMP, model R5AC-PTMP (sold separately)
- 12 mm and 13 mm wrenches
- Shielded Category 5 (or above) cabling should be used for all wired Ethernet connections and should be grounded through the AC ground of the PoE.

We recommend that you protect your networks from harmful outdoor environments and destructive ESD events with industrial-grade, shielded Ethernet cable from Ubiquiti. For more details, visit ui.com/toughcable

AM-5AC22-45 Quick Start Guide



1.

Click for
Table of Contents



2.

AM-5AC22-45 Quick Start Guide



Click for
Table of Contents



3.



4.



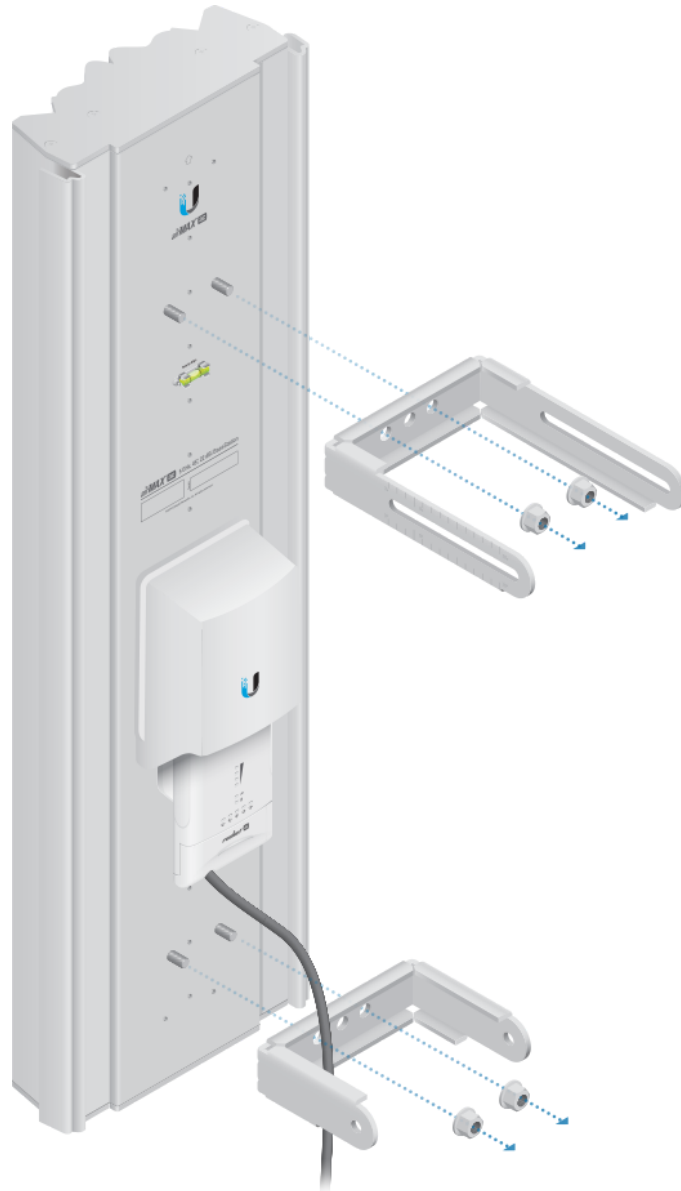
Click for
Table of Contents



AM-5AC22-45 Quick Start Guide



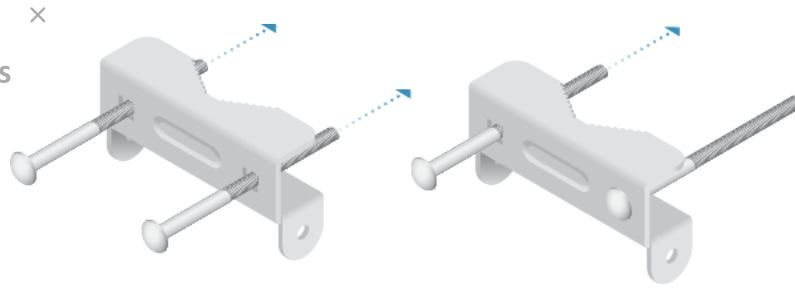
5.





AM-5AC22-45 Quick Start Guide

Click for
Table of Contents



7.



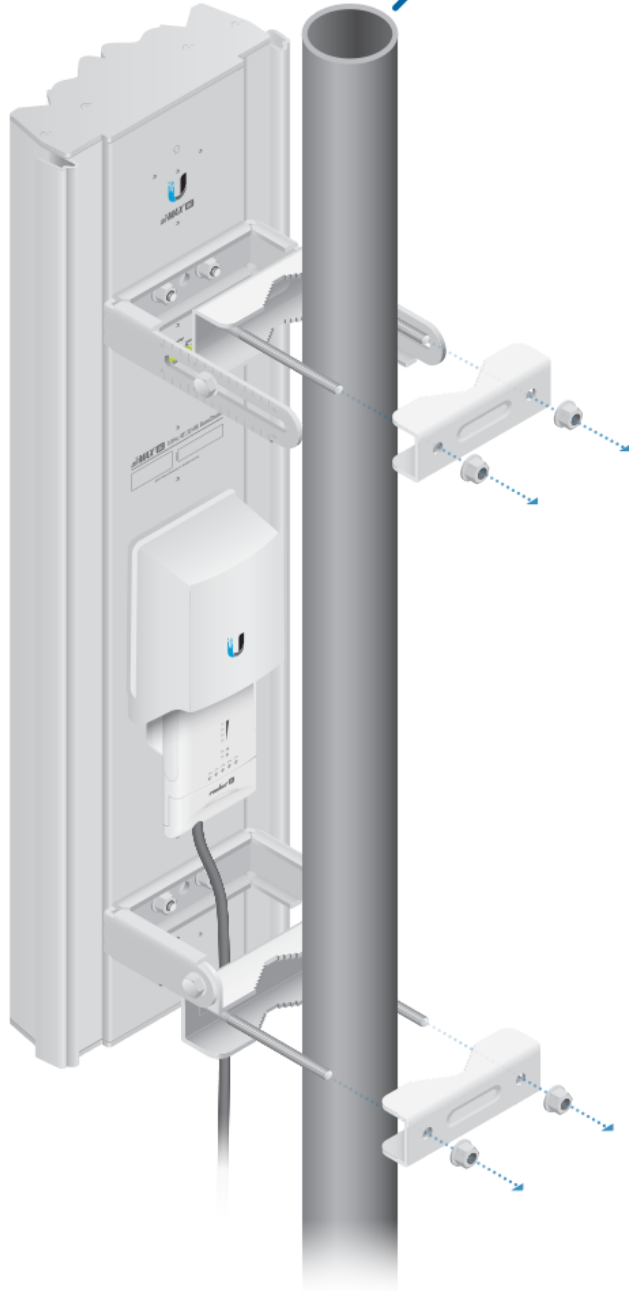
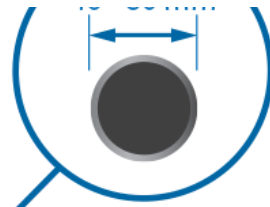
Note: Hand-tighten the bolts.

8.

AM-5AC22-45 Quick Start Guide



Click for
Table of Contents

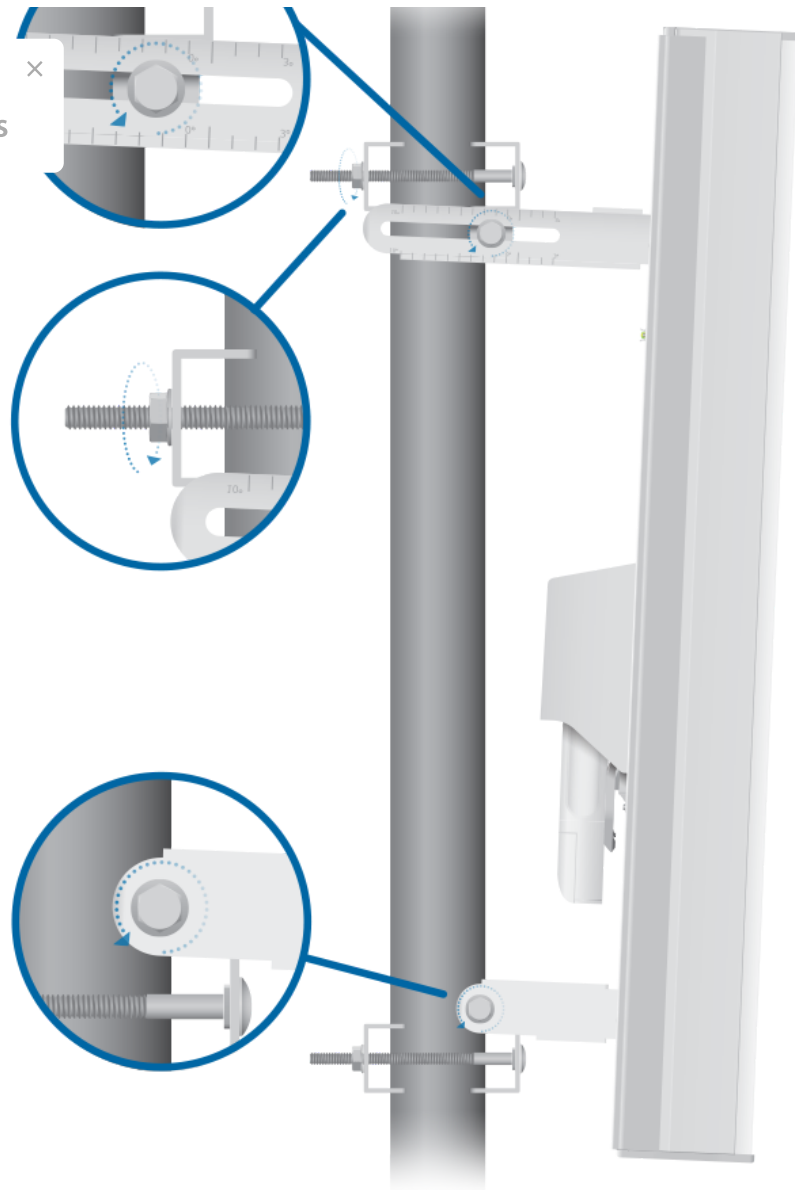


9.

AM-5AC22-45 Quick Start Guide



Click for
Table of Contents



Note: The antenna has an electrical downtilt of 2°.

10.



Click for
Table of Contents



AM-5AC22-45 Quick Start Guide

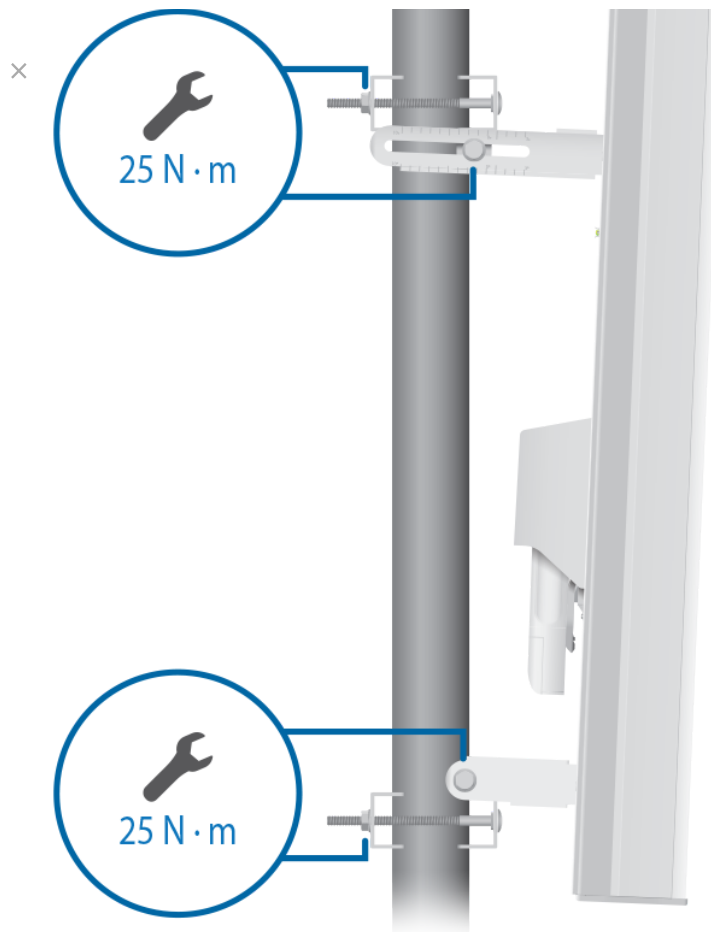


Note: The brackets may slide along the pole, depending on the angle of the elevation tilt.

11.

AM-5AC22-45 Quick Start Guide

Click for
Table of Contents



Specifications

AM-5AC22-45	
Dimensions	750 x 215 x 94 mm (29.53 x 8.47 x 3.70")
Weight (Mount Included)	6 kg (13.23 lbs)
Frequency	5.15 - 5.85 GHz
Gain	22 dBi
HPOL Beamwidth	45° (6 dB)
VPOL Beamwidth	45° (6 dB)
Elevation Beamwidth	4°
Electrical Downtilt	2°
Max. VSWR	1.5:1
Wind Survivability	200 km/h (125 mph)
Wind Loading	347 N @ 200 km/h (78 lbf @ 125 mph)

AM-5AC22-45 Quick Start Guide

Click for Table of Contents	×	30 dB Min.
Mounting		EN 302 326 DN2
		Universal Pole Mount, Rocket Mount Bracket, and Weatherproof RF Cables Included

Safety Notices

1. Read, follow, and keep these instructions.
2. Heed all warnings.
3. Only use attachments/accessories specified by the manufacturer.



WARNING: Do not use this product in location that can be submerged by water.



WARNING: Avoid using this product during an electrical storm. There may be a remote risk of electric shock from lightning.

Electrical Safety Information

1. Compliance is required with respect to voltage, frequency, and current requirements indicated on the manufacturer's label. Connection to a different power source than those specified may result in improper operation, damage to the equipment or pose a fire hazard if the limitations are not followed.
2. There are no operator serviceable parts inside this equipment. Service should be provided only by a qualified service technician.

Limited Warranty

ui.com/support/warranty

The limited warranty requires the use of arbitration to resolve disputes on an individual basis, and, where applicable, specify arbitration instead of jury trials or class actions.

Compliance

RF Exposure Warning

The antenna and transmitter must be installed to provide a separation distance from all persons and must not be located or operating in conjunction with any other antenna or transmitter. For the specific separation distance, refer to the Quick Start Guide for your Rocket device (transmitter).

L'antenne et l'émetteur doit être installé pour fournir une distance de séparation de toute les personnes et ne doit pas être situé ou opérant en conjonction avec une autre antenne ou un autre émetteur. Pour la distance spécifique de séparation, se référer au Guide de démarrage rapide pour votre appareil Rocket (l'émetteur).

AM-5AC22-45 Quick Start Guide



Click for
Table of Contents



of Conformity

Online Resources



© 2020 Ubiquiti Inc. All rights reserved.