



# Package Contents



Dish Reflector



Antenna Feed



Mount Bracket



Protective Shroud



Pole Clamps (Qty. 2)



Stabilizer Brackets (Qty. 2)



RF Cables (Qty. 2)



Elevation Rod



M12x180 Carriage Bolts (Qty. 4)



M10x100 Bolts (Qty. 2)



M10x25 Carriage Bolts (Qty. 3)



M4 Screws (Qty. 6)



## AF-5G34-S45 Quick Start Guide

- 5 GHz airFiber radio (sold separately)
- Phillips #1 screwdriver
- 16 mm wrench
- 24 mm wrench
- Clear view of the sky for proper GPS operation
- Mounting point:
  - At least 1 m below the highest point on the structure
  - For tower installations, at least 3 m below the top of the tower
- Ground wire – min. 10 AWG (5 mm<sup>2</sup>) and max. length: 1 m. As a safety precaution, ground the airFiber radio to a grounded mast, pole, tower, or grounding bar.



**WARNING:** Failure to properly ground your airFiber radio will void your warranty.

- Shielded Category 6 (or above) cabling should be used for all wired Ethernet connections and should be grounded through the AC ground of the PoE.

## Hardware Installation

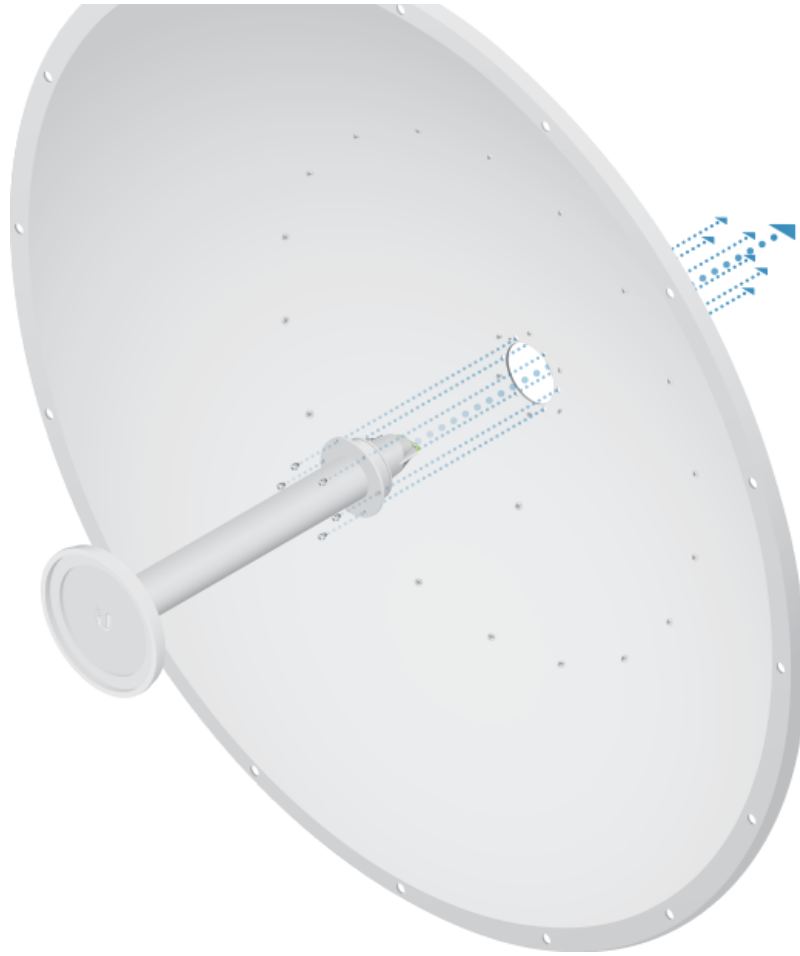


**IMPORTANT:** Handle the Dish Reflector with care. Deformations in its shape may reduce the antenna's effectiveness.

1.



## AF-5G34-S45 Quick Start Guide



**IMPORTANT:** The Dish Reflector and Antenna Feed are keyed so the Antenna Feed can only be installed in a single orientation.



**IMPORTANT:** Do not handle the antenna by the Antenna Feed once the feed is connected.

2.



# AF-5G34-S45 Quick Start Guide



3.



# AF-5G34-S45 Quick Start Guide

4.



5.





## AF-5G34-S45 Quick Start Guide



**Note:** The magnetic GPS antenna is included with the airFiber radio. Place it on the Dish Reflector (this is temporary; you will place the GPS antenna on the GPS antenna mount later).

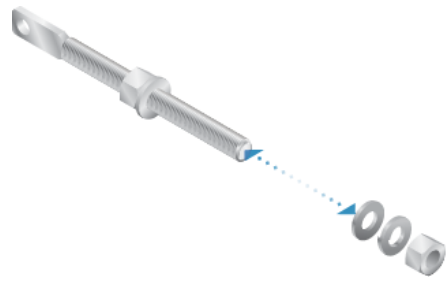
6.



# AF-5G34-S45 Quick Start Guide



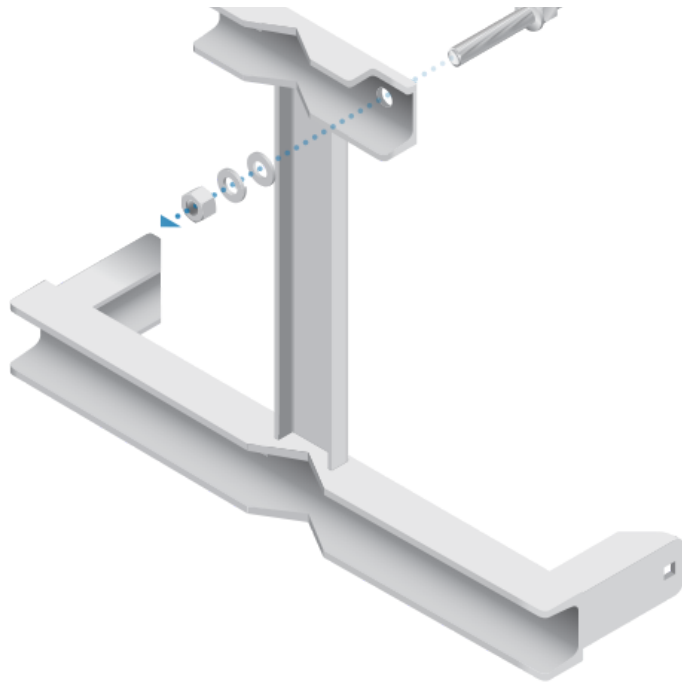
7.



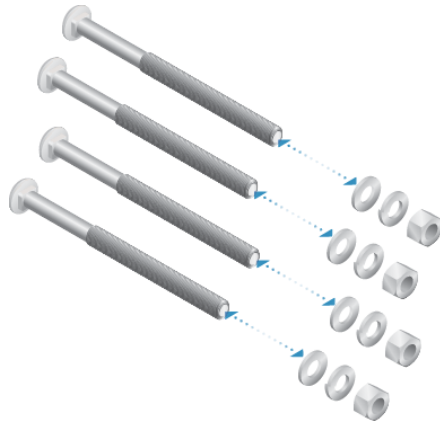
8.



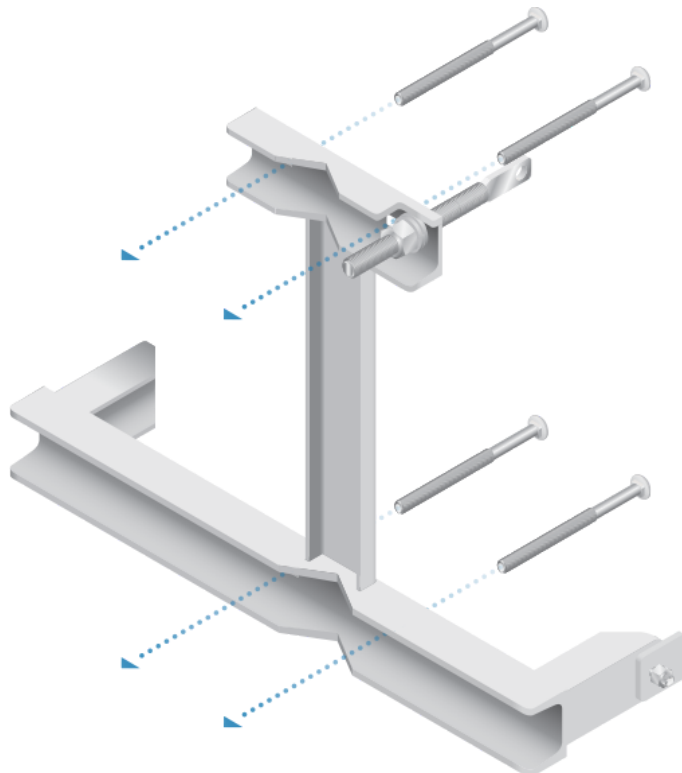
# AF-5G34-S45 Quick Start Guide



9.



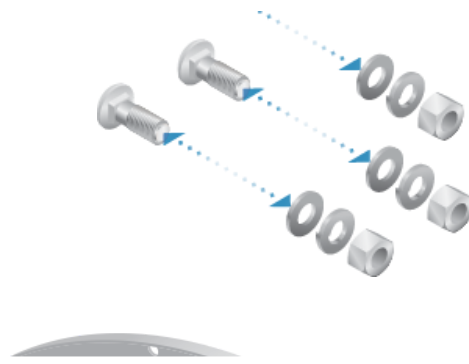
10.







# AF-5G34-S45 Quick Start Guide



12.

13.

14.



# AF-5G34-S45 Quick Start Guide

- 15.
- 16.
- 17.
- 18.

## Mounting the GPS Antenna

Locate a mounting point that has a clear view to the sky, and is above and as far away as possible from the antenna.



**Note:** All GPS items are included with the airFiber radio.

- 1.

OR

- 2.
- 3.

## Specifications

AF-5G34-S45	
Dimensions	1050 x 1050 x 421 mm (41.34 x 41.34 x 16.57")



## AF-5G34-S45 Quick Start Guide

Weight	10.5 kg (23.1 lb) (Mount Included)
Frequency	5.1 - 5.8 GHz
Gain	34 dBi
Max. VSWR	1.4:1
Wind Survivability	200 km/h (125 mph)
Wind Loading	1,779 N @ 200 km/h (400 lb @ 125 mph)
Polarization	Dual Linear
F/B Ratio	42 dB
ETSI Specification	EN 302 326 DN2
Mounting	Universal Pole Mount, airFiber Radio Bracket, and Weatherproof RF Jumpers Included

## Safety Notices

1. Read, follow, and keep these instructions.
2. Heed all warnings.
3. Only use attachments/accessories specified by the manufacturer.



**WARNING:** Do not use this product in location that can be submerged by water.



**WARNING:** Avoid using this product during an electrical storm. There may be a remote risk of electric shock from lightning.

## Electrical Safety Information

1. Compliance is required with respect to voltage, frequency, and current requirements indicated on the manufacturer's label. Connection to a different power source than those specified may result in improper operation, damage to the equipment or pose a fire hazard if the limitations are not followed.
2. There are no operator serviceable parts inside this equipment. Service should be provided only by a qualified service technician.

## Limited Warranty

[ui.com/support/warranty](https://ui.com/support/warranty)

The limited warranty requires the use of arbitration to resolve disputes on an individual basis, and, where applicable, specify arbitration instead of jury trials or class actions.

## Compliance

## RF Exposure Warning



## AF-5G34-S45 Quick Start Guide

separation distance, refer to the Quick Start Guide for your Rocket device (transmitter).

L'antenne et l'émetteur doit être installé pour fournir une distance de séparation de toute les personnes et ne doit pas être situé ou opérant en conjonction avec une autre antenne ou un autre émetteur. Pour la distance spécifique de séparation, se référer au Guide de démarrage rapide pour votre appareil Rocket (l'émetteur).

### WEEE Compliance Statement

### Declaration of Conformity

### Online Resources



© 2020 Ubiquiti Inc. All rights reserved.