

CAT 7 FTP MODULAR PLUGS

P/N: RJB01-SC7

DESCRIPTION

- As part of LINKBASIC Cat7 FTP solution, Cat7 FTP modular plugs' performance exceeds all requirements for Cat7 components; suitable for connection between workspace and Equipment room.

FEATURES

- High-density polyethylene and metal-shielded coated
- 50 micron RJ-45 staggered gold plated connectors can prevent oxidation
- Two pieces design with high and low leading wire slot and physical cable isolated technology can achieve the best line-balance
- Backward compatibility for cat5E and Cat6, provide the long-term reliability and stability
- Sturdy and easy-install design reduces installation and operating costs.
- allows 2000 matching recycles

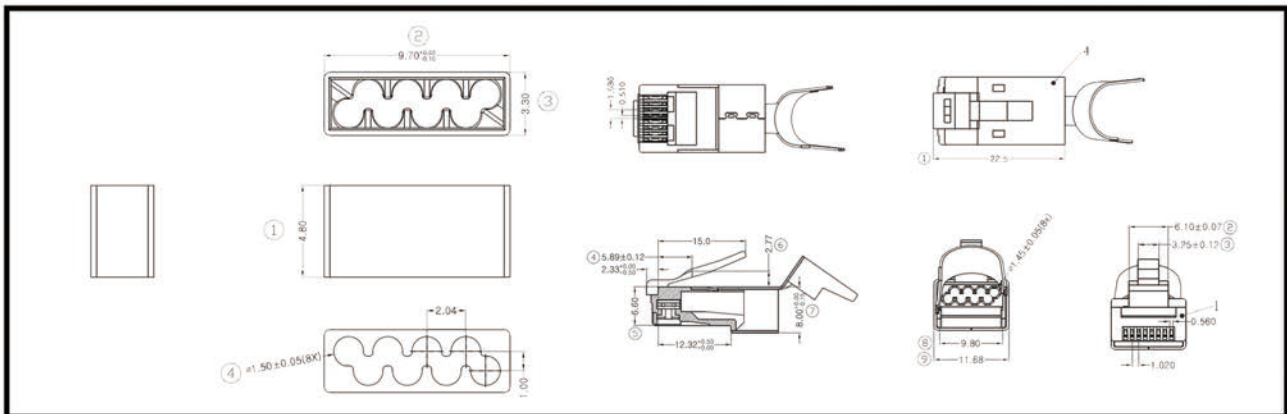
APPLICATION

- Communication outlet
- Concentration point
- Jack-style patch panel
- Equipment connection

PHYSICAL CHARACTERISTICS

- Material: Polycarbonate (PC)

PRODUCT FIGURE



ORDER INFORMATION

Part number	Description	Inner box	Carton	Carton measurement
RJB01-SC7	Cat7 FTP Modular plugs	500PCS	5000PCS	L 53.5cm× W 31.3cm × H 23.4cm

MODULAR PLUGS, CAT7, FTP, RJ45, 6-50Micron.



RJB01-SC7

Cat 6 FTP Modular plugs

ELECTRICAL CHARACTERISTICS

Dielectric strength	1,000V RMS 60Hz/1min
Voltage class	Maximum 250VAC
Rated current	Maximum 2 A
Insulation resistance(minimum)	500M ohm
Contact resistance(maximum)	20M ohm

MECHANICAL CHARACTERISTICS

- Durability: 1000 times plugging
- Contact: phosphor bronze with 50μ" gold plating