



STANDARD

Comply with industry standard ANSI/EIA-310-D

FEATURES

- Modular design, easily assemble and disassemble for delivery, low cost
- Includes 20 M5 Screws and Cage Nuts for mounting devices
- Lightweight design for easy relocation

MATERIALS

Cold rolled steel

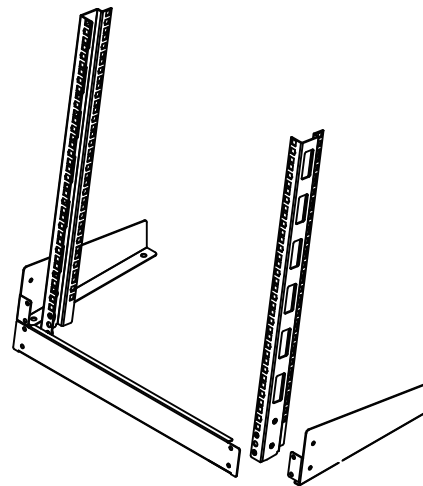
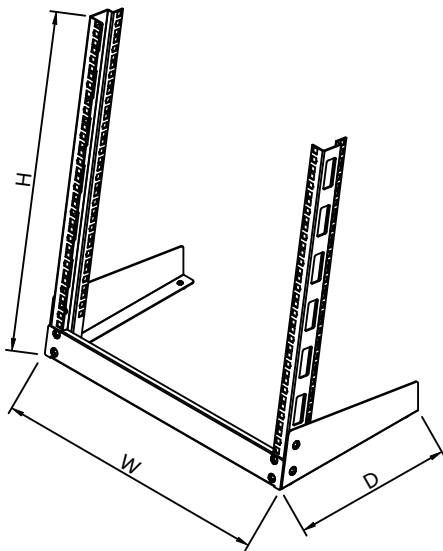
PACKAGING CONTENTS

- 2 x 12U Vertical Post
- 2 x Legs
- 1 x Base Bracket
- 1 x Package of assembly hardware (8 Screws)
- 20 x M5 Screws, and Cage Nuts
- 4 x Rubber Feet

PACKAGING INFORMATION

- Flat Pack (Assembly Required)
- Package Length 61.0 cm
- Package Width 16.4 cm
- Package Height 9.9 cm
- Shipping (Package) Weight 3.1 kg

STRUCTURAL



ORDER INFORMATION

| Part No. | Capacity(U) | Width(mm) | Depth(mm) | Height(mm) |
|----------|-------------|-----------|-----------|------------|
| DOF08-☆ | 8 | 503 | 295 | 408 |
| DOF12-☆ | 12 | | | 584 |

MODEL SPECIFICATION

*=Material, S=Steel, A= Aluminum alloy
 #=Hole type, T=Tapped hole, S=Square hole

COLOR

☆=color A=Black